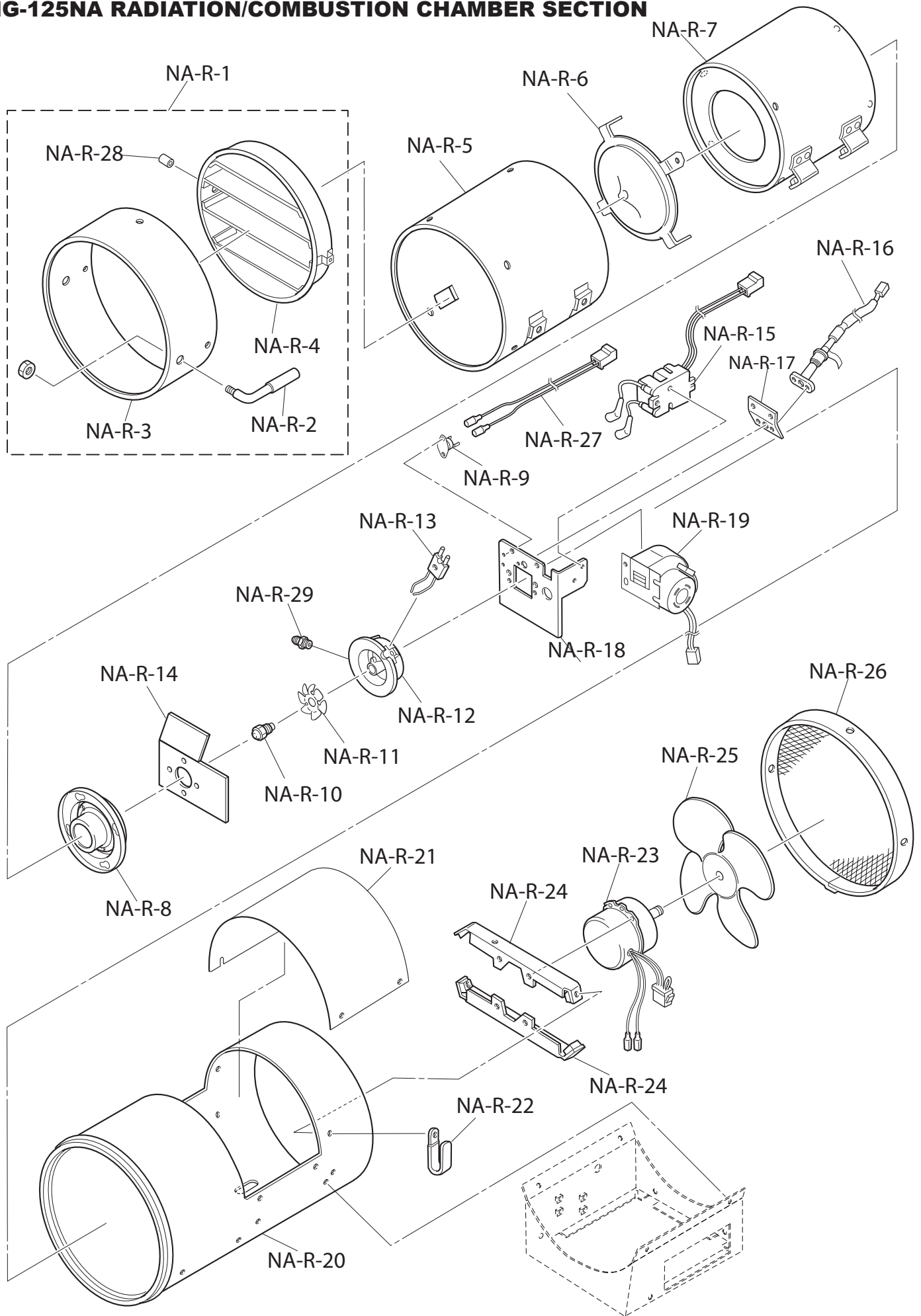
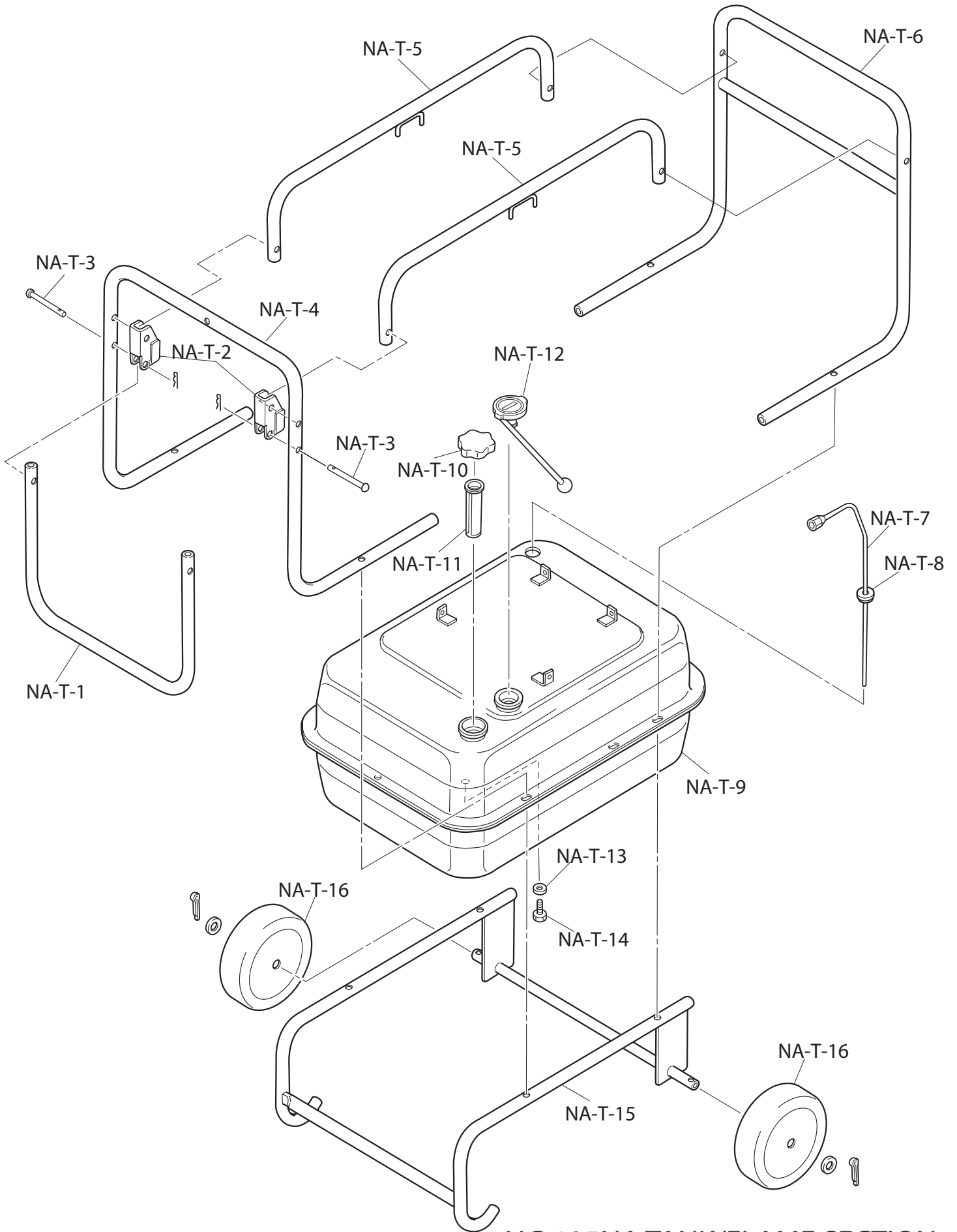


HG-125NA RADIATION/COMBUSTION CHAMBER SECTION





HG 125NA TANK/FLAME SECTION

HG 125NA BURNER/CONTROL SECTION

